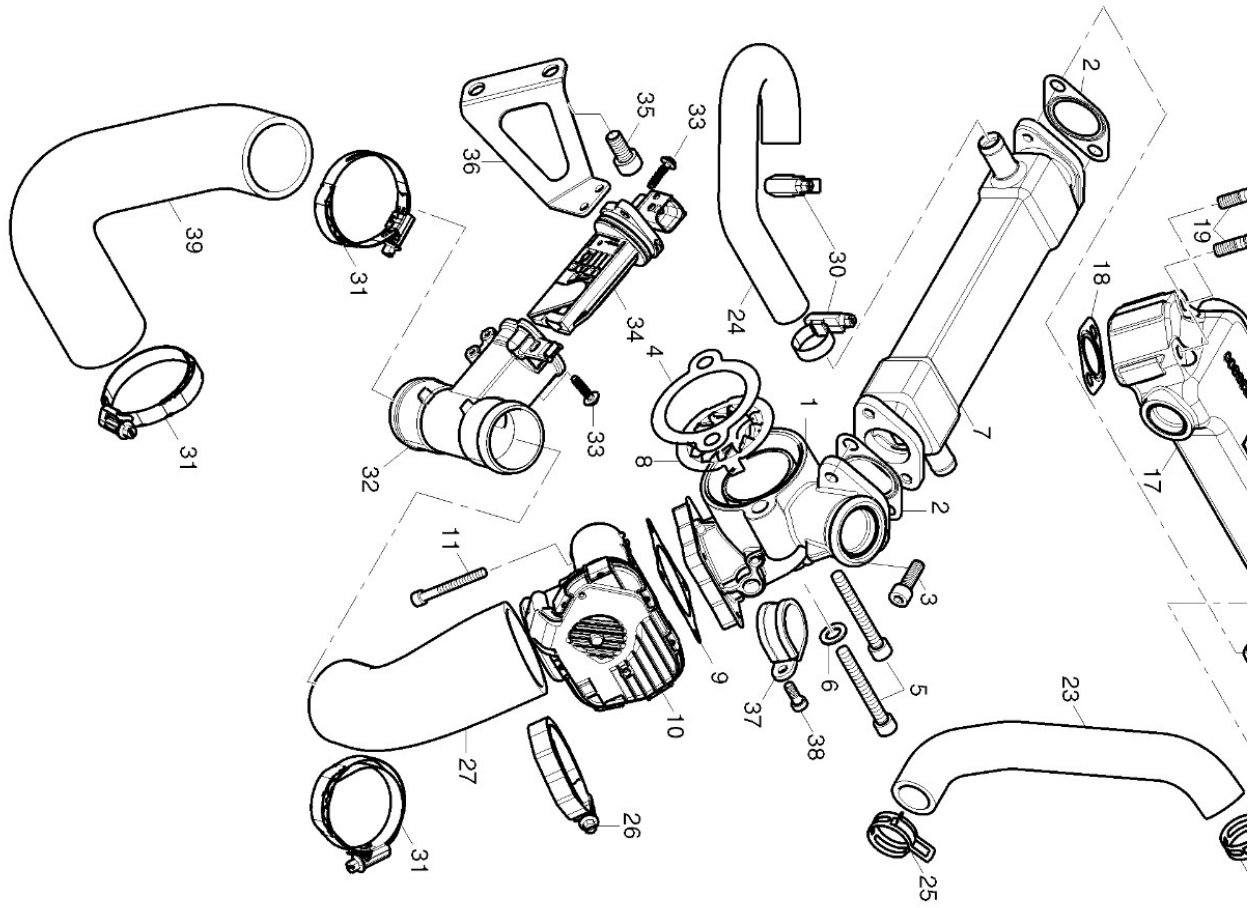


M37 Exhaust-gas recirculation 4 H 50 TICD.10



M37 Exhaust-gas recirculation 4 H 50 TICD.10

Pos.	Part no.	Description	Qty.	Notice	Add. notice
1	000002069610	MIXING JET F. AGR	1		
2	000004302900	GASKET	2		
3	000050171500	ALL.SCR.M 8X 25	2	M 8 X 25 DIN 912-8.8 A3B	
4	000005653900	GASKET	1		
5	000050055200	ALL.SCR.M10X 60	2	M 10 x 60 DIN 912-8.8A3B	
6	000050017000	DISC 10,5	2	10,5 DIN 433 - St A3B	
7	000050632100	EGR-COOLER	1		
8	000005646600	DISC	1		
9	000005654000	GASKET	1		
10	000050679900	THROTTLE PLATE D48	1		
11	000050342000	ALL.SCR.M 6X 50	4	M 6 X 50 DIN 912-8.8 A3B	
13	000050628810	EGR-VALVE	1		
14	000040022401	O-RING 8 X 2 GRAY	1	8 x 2 FPM 75 MOLYKOT.	
15	000050632600	HEXSCREW M6 X 20	2	M 6 X 20 DIN 6921-F-8.8-A3B DIN 6921-8.8-A3B	
16	000050171500	ALL.SCR.M 8X 25	2	M 8 X 25 DIN 912-8.8 A3B	
17	000002062000	PRECOOLER	1		
18	000004272201	GASKET	1		
19	000050655800	STUD M 8 X 55	2	M 8 x 55 DIN 939 - 10.9	
20	000040028400	HEX.NUT M 8	2	VM 8 DIN 980-8 C3A	
21	000004306700	SUPPORT	1		
22	000050366300	ALL.SCR.M 8X 20	4	M 8 X 20 DIN 912-8.8A3B	
23	000004308200	PREFORMED HOSE D22X4,5	1	22x5	
24	000004339800	PREFORMED HOSE D16X4,5	1	Ø 16 x 4,5	
25	000050667600	CLAMP 28-30,5	2	28 - 30,5	
26	000050681300	HOSE CLIP 50-70	1		
27	000005651400	PREFORMED HOSE CHARGING AIR	1		
28	_noorder	No single order	-		

